

SPT21 General Type Pressure Transmitter

Features

- Reliable performance, easy application
- Short protection and reverse polarity protection
- Gauge, absolute and sealed gauge optional
- Offset and full scale adjustable



Introduction

SPT21 is piezo-resistive pressure transmitter, uses high stable and reliable pressure sensor and special circuit board to produce transmitter. This product is used for measure and control of water system, petroleum, chemi-industry, electric power, hydrology and flow pressure measure, etc.

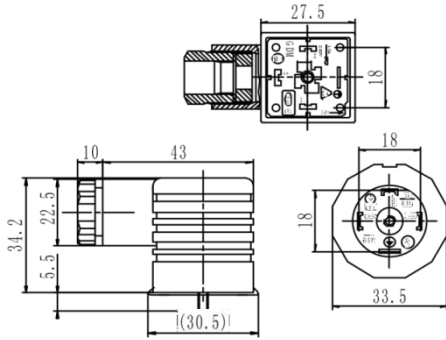
Specification

Item	Specification
Pressure range	-1...0~0.1...1000bar
Over pressure	1.5 times FS or 1000bar (min. value is valid)
Pressure type	Gauge/absolute/sealed gauge optional
Process connection	G1/4 male thread (customized)
Accuracy	±0.1%FS. ±0.25%FS. ±0.5%FS
Long term stability	≤±0.3%FS/year
Offset thermal drift	0.1%FS/°C(≤1bar); 0.05%FS/°C(>1bar)
Span thermal drift	0.1%FS/°C(≤1bar); 0.05%FS/°C(>1bar)
Compensated temp.	0~50°C
Application temp.	-30~80°C
Storage temp.	-40~120°C
Power supply	12~28VDC
Output signal	4-20mA. 0-5V. RS485. etc.
Load resistance	≤ (U-12) /0.02Ω (2-wire) , ≥10k (3-wire)
Housing protection	IP65
Electrical connection	DIN43650 plug/M12 connector

Construction material (Default version)

Housing	SS304
Pressure port	SS304
Diaphragm	SS316L
Sealing gasket	Viton
Plug housing	Plastic

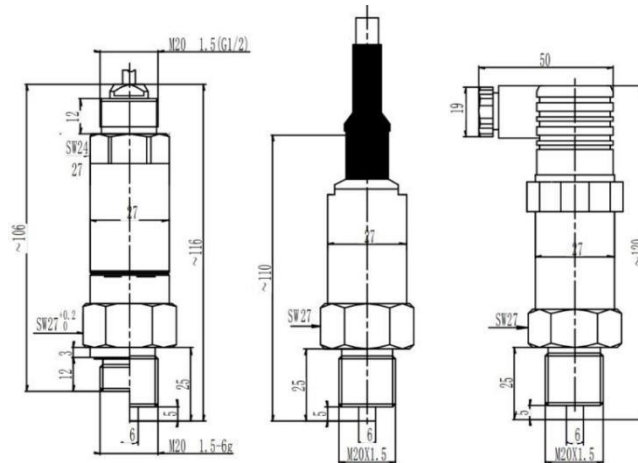
Wiring



Pin	2-wire	3-wire
1	+V	+V
2	+OUT	GND
3	Null	+OUT

Wire color	2-wire	3-wire
Red	+V	+V
Green	+OUT	+OUT
Black	Null	GND

Outline dimension: (Output E/J/V/V1) (Unit:mm)

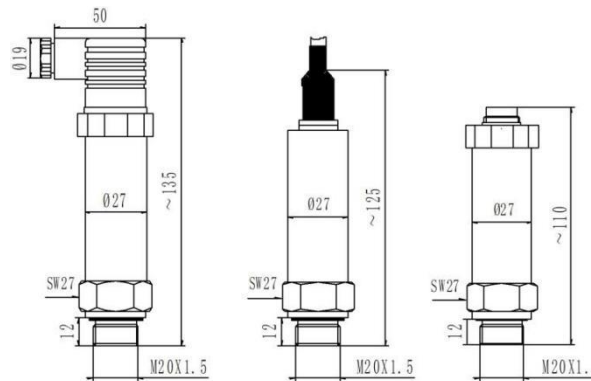


Explosion proof version

Cable version (IP68)

DIN43650 plug version

Outline dimension: (Output R/R4/H)



DIN43650 plug version

Cable version (IP68)

M12 connector version

Order Information

SPT21	General Type Pressure Transmitter				
	Range	-1...0~0.1...1000bar			
	[0~X] bar	X: the actual measured pressure			
	Code	Output signal			
	E	4 ~ 20 mADC			
	J	0 ~ 5 VDC			
	V	0 ~ 10 VDC			
	V1	0.5~4.5VDC			
	R	RS485 4-wire			
	R4	RS485 & 4-20mA 4-wire			
	H	4 ~ 20mADC & HART 7 2-wire			
	Code	Construction material			
		Diaphragm	Pressure port		
		Housing			
	22	SS316L	SS304		
	24	SS316L	SS316L		
	26	Titanium	Titanium		
	Code	Others			
	1	Accuracy ±0.5%FS (Default accuracy)			
	2	Accuracy ±0.25%FS			
	3	Accuracy ±0.1%FS			
	B1	DIN43650 connector			
	B2	Cable Exit			
	B3	M12 connector			
	C1	M20*1.5 male thread			
	C2	G1/4 male thread			
	C3	G1/2 male thread			
	PC3	G1/2 flush membrane			
	G	Gauge			
	S	Sealed gauge			
	A	Absolute			
SPT21	[0~1bar]	E	22	1 B1C1G	the whole spec

Note: Please contact with us if there is any special requirements on function or specification.